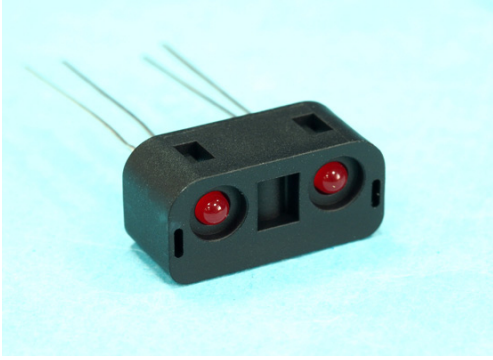


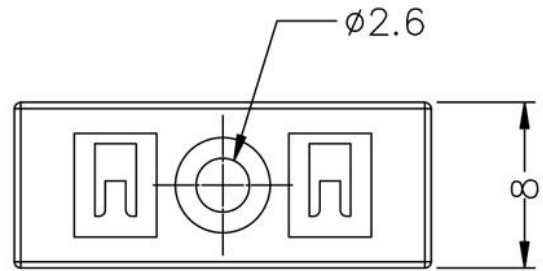
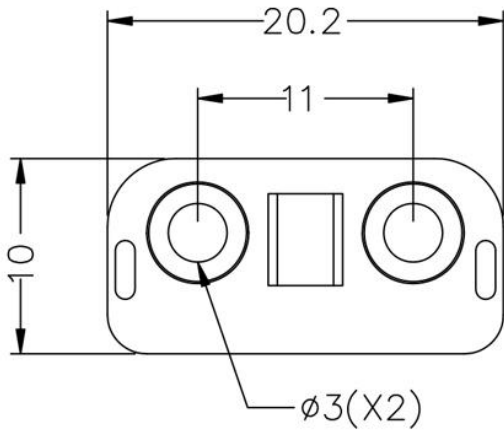
LED间隔柱 LED SPACER SUPPORT



用途：配合螺丝，可将LED固定于机板上

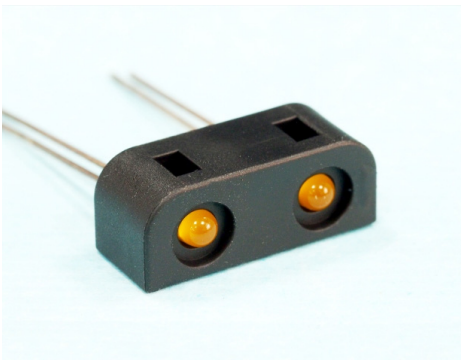
MATERIAL : NYLON 66(UL)
 FLAME CLASS : 94V-0,94V-2
 COLOR : BLACK
 UNIT : mm

1



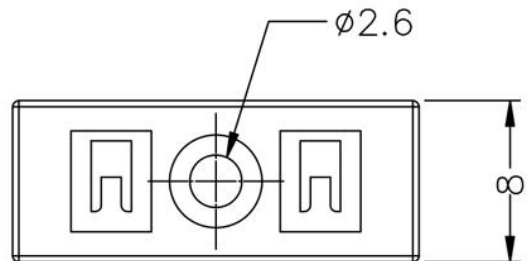
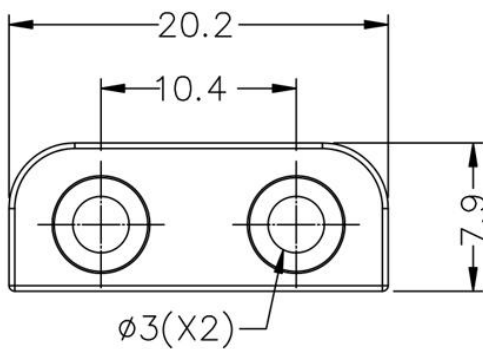
PART NO	PACKAGE
LEDSS-425	1000

LED间隔柱 LED SPACER SUPPORT



用途：配合螺丝，可将LED固定于机板上

MATERIAL : NYLON 66(UL)
 FLAME CLASS : 94V-0,94V-2
 COLOR : BLACK
 UNIT : mm



PART NO	PACKAGE
LEDSS-426	1000