

LED导光柱 LED PIPE



用途：使LED导光于机壳面板上，使光度均匀、柔和。

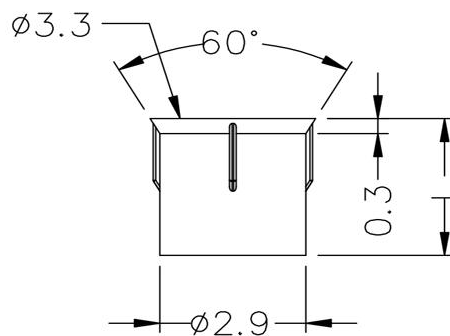
MATERIAL : PC

COLOR : TRANSPARENT

UNIT : mm

2

PART NO	L	PACKAGE
LEDLP-180	10.0	2000
LEDLP-181	2.5	2000
LEDLP-182	3.0	2000
LEDLP-183	3.2	2000
LEDLP-184	5.0	2000
LEDLP-185	6.0	2000
LEDLP-186	8.0	2000
LEDLP-225	12.7	2000
LEDLP-252	9.5	2000



MOUNTING HOLE $\phi 3.07\text{mm}$

LED导光柱 LED PIPE



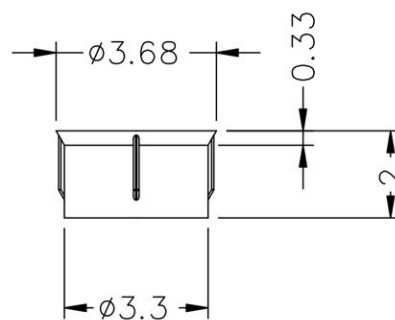
用途：使LED导光于机壳面板上，使光度均匀、柔和。

MATERIAL : PC

FLAME CLASS : 94V-0,94V-2

COLOR : TRANSPARENT

UNIT : mm



MOUNTING HOLE $\phi 3.5$

PART NO	PACKAGE
LEDLP-187	2000